

***Hustler® 5" & 7" Reels  
Fairway Mowers  
Parts Manual***



**HUSTLER®**  
ENGINEERING PERFORMANCE™

200 South Ridge Road  
Hesston, Kansas  
67062



---

# Table of Contents

## General Information

Service Literature .....	1-1
Options Available From Your Dealer.....	1-1
Using This Manual .....	1-1
Hardware Description Codes & Abbreviations .....	1-1
Standard Torques .....	1-2

## Section 2

Front Roller—5" Reels .....	2-2
Reel Blade Assembly—5" Reels.....	2-4
Bedknife Assembly—5" Reels .....	2-6
Rear Roller—5" Reels.....	2-8
Gear Motor Weight Assembly—5" Reels .....	2-10
Reel Cover Assembly—5" Reels .....	2-12
Front Roller—7" Reels .....	2-14
Reel Blade Assembly—7" Reels.....	2-16
Bedknife Assembly—7" Reels .....	2-18
Rear Roller—7" Reels.....	2-20
Gear Motor Weight Assembly—7" Reels .....	2-22
Reel Cover Assembly—7" Reels .....	2-24

Index .....	i-1
-------------	-----



---

# General Information

This manual covers Hustler® Reels models **929182, 929183, 929158, 929166, & 929174.**

---

## **Service Literature**

PART NO.	DESCRIPTION
111099	OPERATOR'S MANUAL

---

## **Options Available From Your Dealer**

PART NO.	DESCRIPTION
114263	POWERED REAR ROLLER BRUSH KIT, 5" REELS ONLY
601940	ROLLER SCRAPER (FRONT), 7" REELS
601939	ROLLER SCRAPER (REAR), 7" REELS
111973	ROLLER SCRAPER (FRONT), 5" REELS
114676	ROLLER SCRAPER (REAR), 5" REELS

*Note:* When ordering parts, you must use the part number as shown for each part, not the index number. Always give the model and serial number to your parts and representative.

*Note:* Items sold in bulk such as seals and hoses are sold by the foot.

---

## **Using This Manual**

This manual is part of a package for the Hustler® mowers. Use of this manual in conjunction with other Hustler® mower and component manuals will provide the information necessary to and maintain Hustler® mowers.

This Parts Manual provides a complete parts listing for the unit. Use this manual when ordering parts. Illustrations used were current at the time of printing, but subsequent production changes may cause your machine to vary slightly in detail. Excel Industries, Inc. reserves the right to redesign and change the machine as deemed necessary, without notification. If a change has been made to your machine which is not reflected in this parts manual, see your authorized dealer for current information and parts.

The Operator's Manual provides fundamental operational information and operational safety that is needed when operating the mower.

The component manuals are furnished by the various manufacturers to be used for the troubleshooting and servicing of their products.

## **Hardware Description Codes & Abbreviations**

The following codes are used throughout this parts manual. Refer to this list when ordering parts.

ABBREVIATION	DESCRIPTION	ABBREVIATION	DESCRIPTION
CB	CARRIAGE BOLT	MB	MACHINE BUSHING
CE	CLEVIS PIN	MS	MACHINE SCREW
CN	CLIP NUT	NT	NUT
CP	COTTER PIN	SC	SELF TAPPING CAP SCREW
CS	CAP SCREW	SH	SOCKET HEAD
CW	CUP WASHER	SB	SHOULDER BOLT
FDRW	FENDER WASHER	SS	SET SCREW
FW	FLAT WASHER	OD	OUTSIDE DIAMETER
HX	HEX HEAD	ID	INSIDE DIAMETER
LW	LOCK WASHER	WN	WELD NUT

---

---

## **Standard Torques**

*The following chart lists the standard torque values for the threaded fasteners found in this manual. Torque all cap screws, nuts and set screws to these values unless a different torque is shown in the Notes section next to the fastener.*

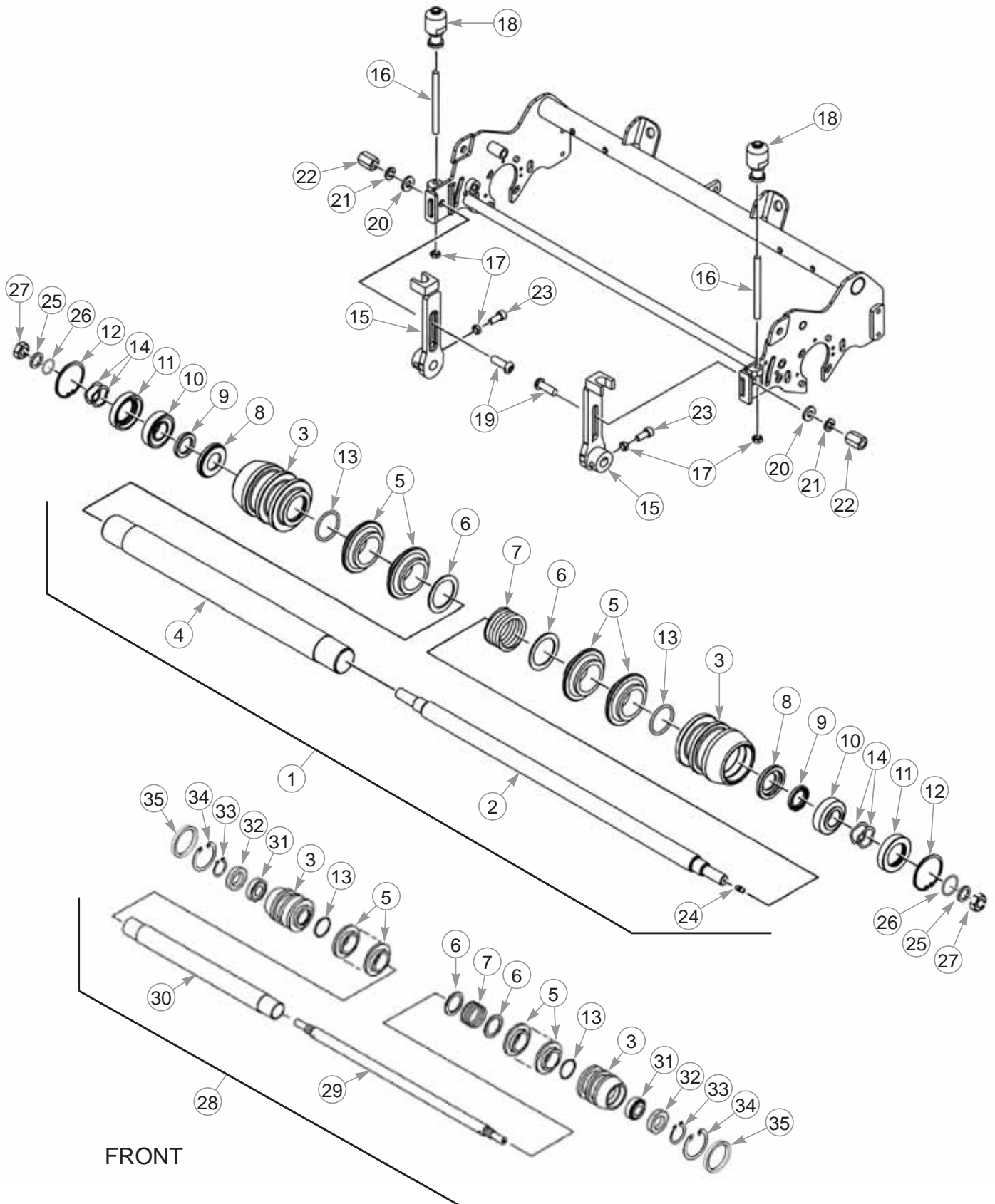
<b>SIZE</b>	<b>FT-LBS</b>	<b>N•M</b>		<b>SIZE</b>	<b>FT-LBS</b>	<b>N•M</b>
.250	8.2	11.1		M3	1	1.3
.312	17	23		M4	2.2	3
.375	30	40		M5	4.5	6.1
.438	48	65		M6	7.7	10.4
.500	73	99		M8	18.5	25
.562	105	143		M10	37	50
.625	145	200		M12	64	87
.750	260	350		M14	80	108.5
.875	420	565		M16	160	215
1.00	625	850		M20	320	435
				M24	555	750

---

## Section 2

Front Roller—5" Reels . . . . .	2-2
Reel Blade Assembly—5" Reels . . . . .	2-4
Bedknife Assembly—5" Reels . . . . .	2-6
Rear Roller—5" Reels . . . . .	2-8
Gear Motor Weight Assembly—5" Reels . . . . .	2-10
Reel Cover Assembly—5" Reels . . . . .	2-12
Front Roller—7" Reels . . . . .	2-14
Reel Blade Assembly—7" Reels . . . . .	2-16
Bedknife Assembly—7" Reels . . . . .	2-18
Rear Roller—7" Reels . . . . .	2-20
Gear Motor Weight Assembly—7" Reels . . . . .	2-22
Reel Cover Assembly—7" Reels . . . . .	2-24

# Front Roller—5" Reels



FRONT



---

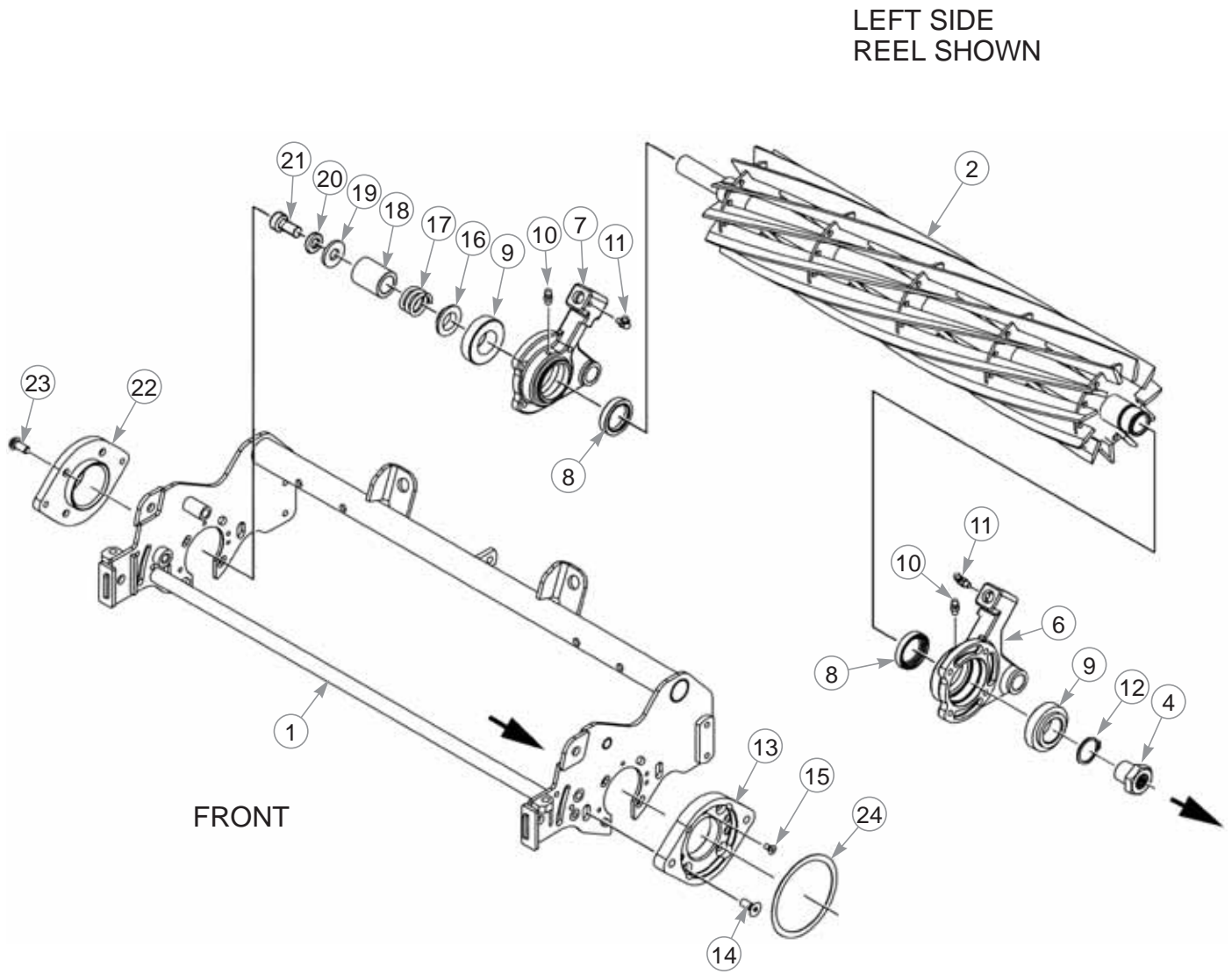
## **Front Roller—5" Reels**

INDEX NO.	PART NO.	QTY.	DESCRIPTION
1	A72010341	1	FRONT ROLLER ASSY (INCLUDES ITEMS 2-14, 24-27)
2	A72460331	1	SHAFT
3	A72110440	2	ROLLER
4	A72120100	1	PIPE
5	A72110430	14	ROLLER SEGMENT
6	A99231410	2	COLLAR
7	A98220960	1	SPRING
8	A72420010	2	SEAL CASE
9	050309011	2	OIL SEAL
10	042530205	2	TAPER ROLLER BEARING
11	050209121	2	OIL SEAL
12	036500055	2	SNAP RING
13	052100400	2	O-RING
14	A99240950	4	WAVY WASHER
15	A72160780	2	BRACKET
16	A99432090	2	BOLT
17	020700008	4	NUT
18	A70320020	2	ADJUSTER KNOB
19	A99431840	2	BRACKET BOLT
20	A99240200	2	WASHER
21	027100010	2	LOCK WASHER M10
22	A99460230	2	NUT
23	010709074	2	BOLT
24	060609002	2	GREASE NIPPLE
25	A99231790	2	COLLAR
26	052400250	2	O-RING
27	022409013	2	NUT
28	A72010540	1	ROLLER ASSY (INCLUDES ITEMS 3, 5-7, 29-35)
29	A72120470	1	SHAFT
30	A72120160	1	PIPE
31	040136204	2	BEARING
32	A99232040	2	COLLAR
33	036100020	2	SNAP RING
34	036500047	2	SNAP RING
35	050309087	2	OIL SEAL

---

### **NOTES:**

# Reel Blade Assembly—5" Reels



---

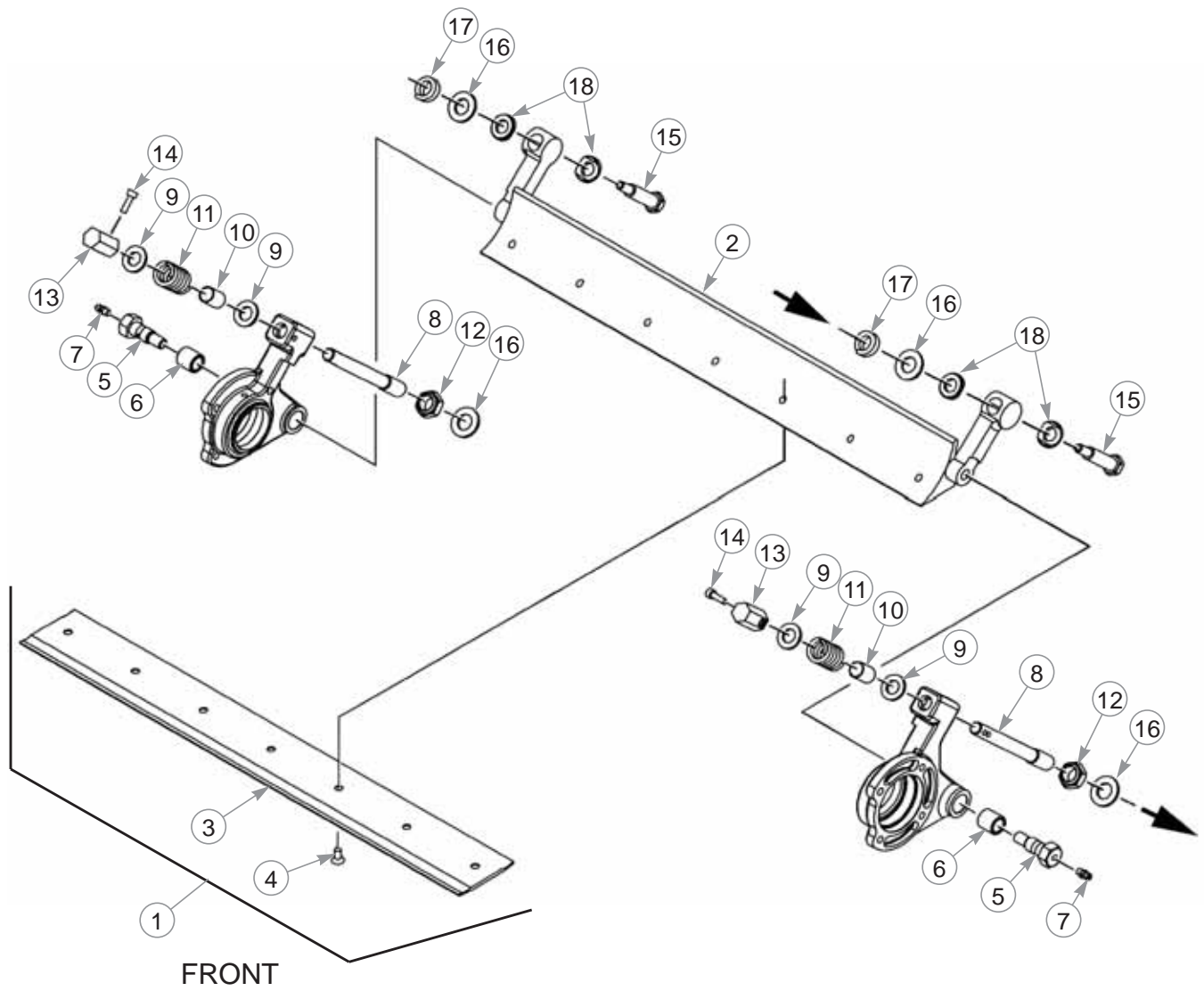
## ***Reel Blade Assembly—5" Reels***

INDEX NO.	PART NO.	QTY.	DESCRIPTION
1	A74101060	1	REEL FRAME
2	A70151360	1	LEFT SIDE REEL 7 BLADE
3	A70151380	1	RIGHT SIDE REEL 7 BLADE (NOT SHOWN)
4	A22360300	1	LEFT SIDE COUPLING
5	A22360310	1	RIGHT SIDE COUPLING (NOT SHOWN)
6	A22260950	1	LEFT SIDE REEL BRACKET
7	A22260970	1	RIGHT SIDE REEL BRACKET
8	050203130	2	OIL SEAL
9	042532078	2	TAPER ROLLER BEARING
10	060610000	2	STRAIGHT GREASE FITTING
11	060609004	2	90° GREASE FITTING
12	036100028	1	SNAP RING
13	A22330030	1	MOTOR BRACKET
14	015209029	4	BOLT
15	015300510	1	BOLT
16	A99240960	1	SPRING COLLAR
17	A98221150	1	SNAP RING
18	A99230240	1	COLLAR
19	026109018	1	WASHER
20	027100012	1	SPRING WASHER
21	010131225	1	BOLT
22	A22330040	1	THATCHING BRACKET
23	015209030	4	BOLT
24	A22990220	1	GASKET

---

### **NOTES:**

# **Bedknife Assembly—5" Reels**



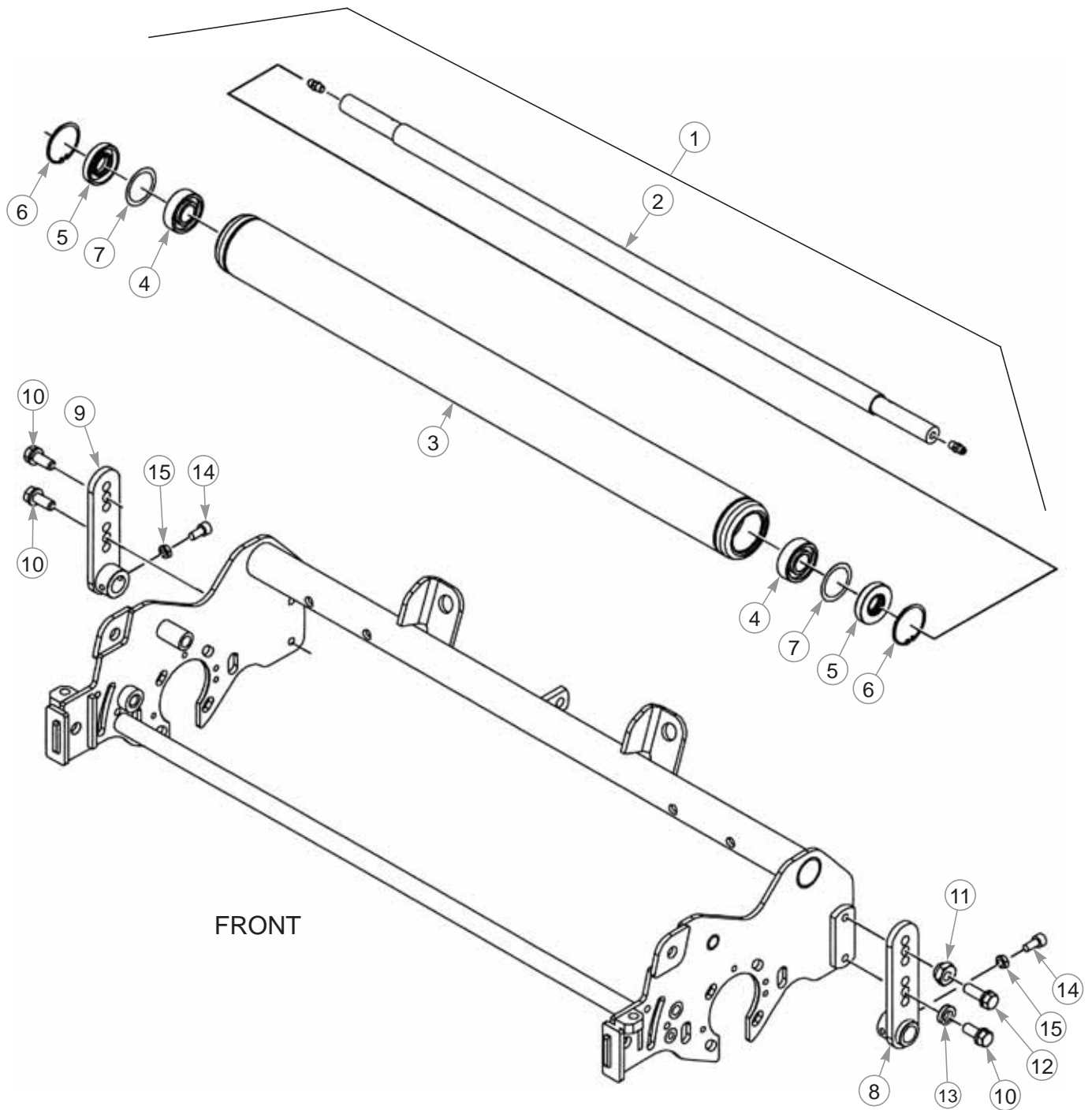
# Bedknife Assembly—5" Reels

INDEX NO.	PART NO.	QTY.	DESCRIPTION
1	A70100370	1	BEDKNIFE ASSY (INCLUDES ITEMS 2-4)
2	A70110430	1	BED BAR
3	SEE THE TABLE BELOW FOR BEDKNIFE OPTIONS		
4	A99480030	13	BEDKNIFE SCREW
5	A99430330	2	PIVOT BOLT
6	A98510120	2	BUSHING
7	060609002	2	STRAIGHT GREASE NIPPLE
8	A70310120	2	ADJUSTING BOLT
9	026100012	4	WASHER
10	A99231710	2	COLLAR
11	A98221130	2	SPRING
12	022409012	2	NUT
13	A70320150	2	ADJUSTER NUT
14	010709061	2	BOLT
15	A99432080	2	BOLT
16	026200014	4	WASHER
17	A98221140	2	SPRING
18	A99231230	4	COLLAR

## NOTES:

BEDKNIFE DESCRIPTION	HIGH SPEED PREMIUM BEDKNIFE TOOL STEEL INSERTED LEADING EDGE	ALL STEEL BEDKNIFE
FAIRWAY/TEES	A70430250 (22", 3.5MM)	A70430311 (22", 3.5MM)
FAIRWAY/TEES	A70430260 (22", 4.5MM)	A70430280 (22", 4.5MM)

# Rear Roller—5" Reels



---

## **Rear Roller—5" Reels**

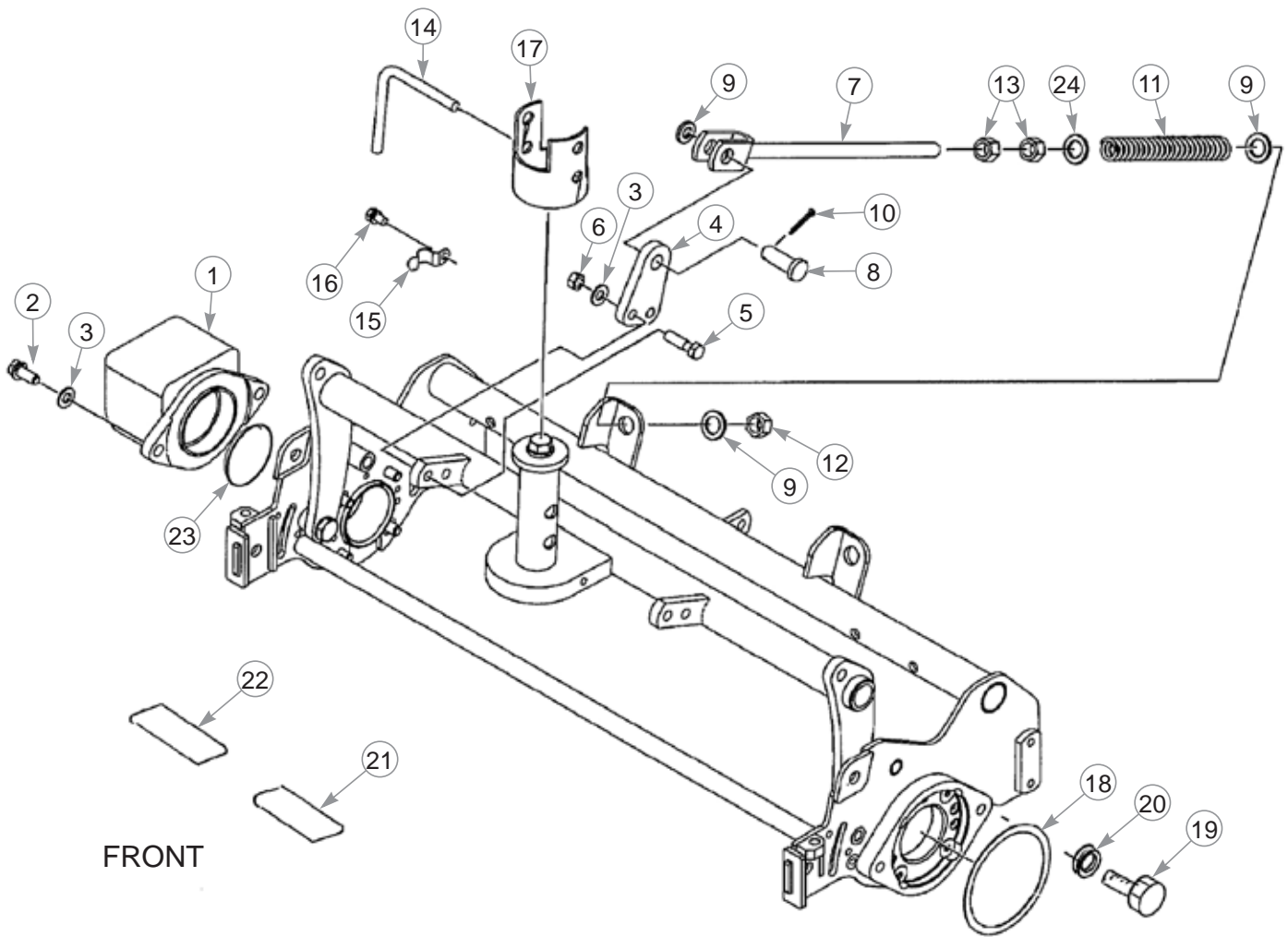
INDEX NO.	PART NO.	QTY.	DESCRIPTION
1	A72010450	1	REAR ROLLER ASSEMBLY (INCLUDES ITEMS 2-7)
2	A72460390	1	SHAFT
3	A72100200	1	REAR ROLLER
4	040136202	2	BEARING 6202LU
5	050209128	2	OIL SEAL
6	036100035	2	SNAP RING
7	A99240950	6	WAVE WASHER
8	A72160800	1	RIGHT SIDE BRACKET
9	A72160790	1	LEFT SIDE BRACKET
10	011510820	3	BOLT M8 X 1.25 X 20
11	A72170060	1	CAM
12	011510825	1	BOLT
13	026100008	1	WASHER M8 X 16 X 1.6
14	010709063	2	BOLT
15	020300006	2	NUT
16	060609002	2	GREASE NIPPLE

---

### **NOTES:**

# Gear Motor Weight Assembly—5" Reels

LEFT SIDE  
UNIT SHOWN





---

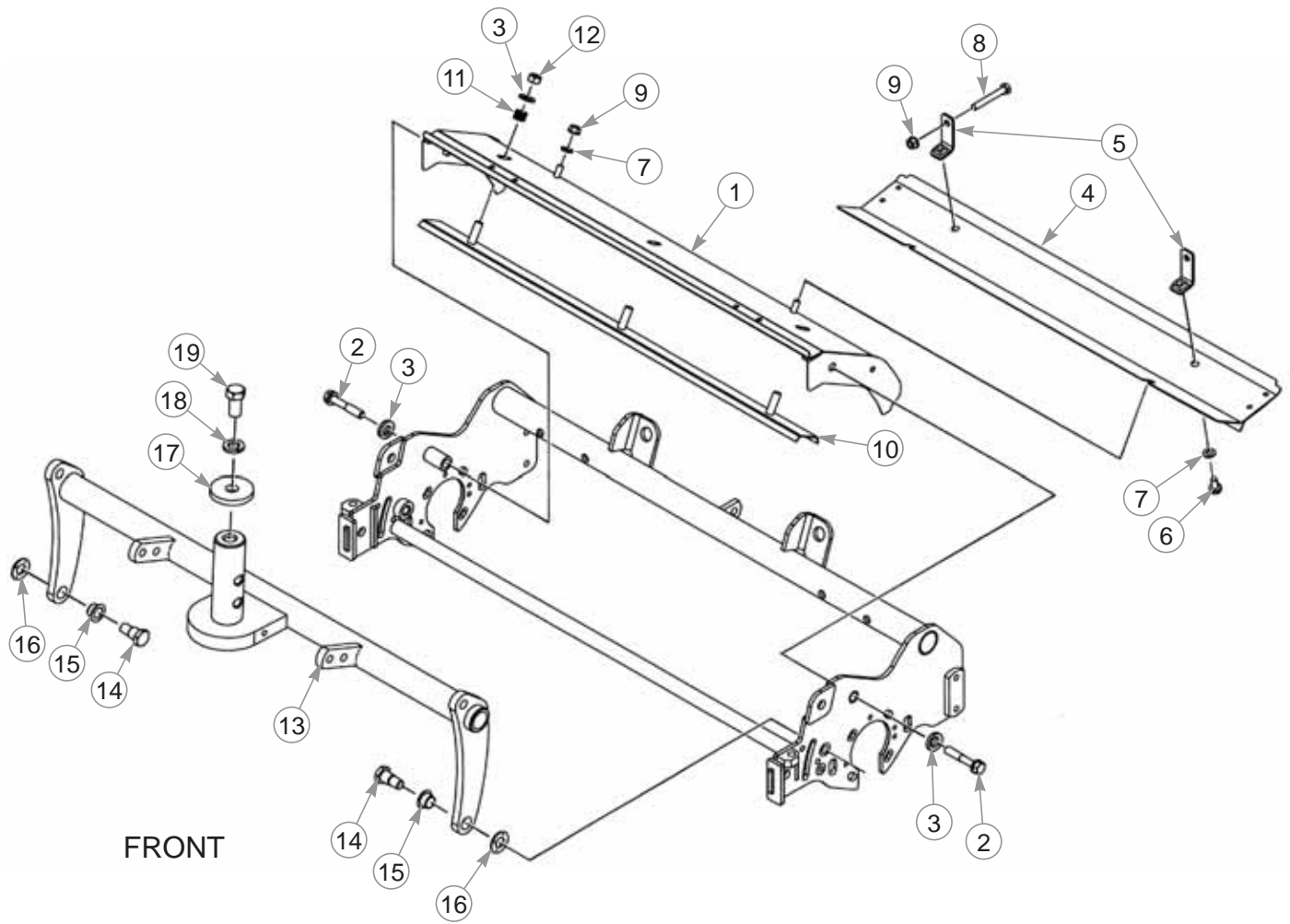
## ***Gear Motor Weight Assembly—5" Reels***

INDEX NO.	PART NO.	QTY.	DESCRIPTION
1	A62110400	1	COUNTERWEIGHT
2	011510820	2	BOLT M8 X 1.25 X 20
3	026100008	2	WASHER M8 X 16 X 1.6
4	A76360010	1	BRACKET
5	010310830	2	BOLT
6	021500008	2	NUT
7	A76200280	1	ROD
8	031311230	1	PIN
9	026100012	3	WASHER
10	030102520	1	COTTER PIN
11	A98221240	1	SPRING
12	022300012	1	LOCK NUT
13	020900016	2	NUT M12
14	A44420051	1	REEL PIVOT LOCK PIN
15	A98220980	1	SPRING
16	011150612	1	BOLT
17	A76240010	1	COVER
18	A22990220	1	GASKET
19	011511030	2	BOLT M10 X 30
20	026100010	2	WASHER M10 X 20 X 2
21	A90630021	1	CAUTION PLATE
22	A90630040	1	CAUTION PLATE
23	052400530	1	O-RING
24	026100016	1	WASHER

---

### **NOTES:**

# Reel Cover Assembly—5" Reels



---

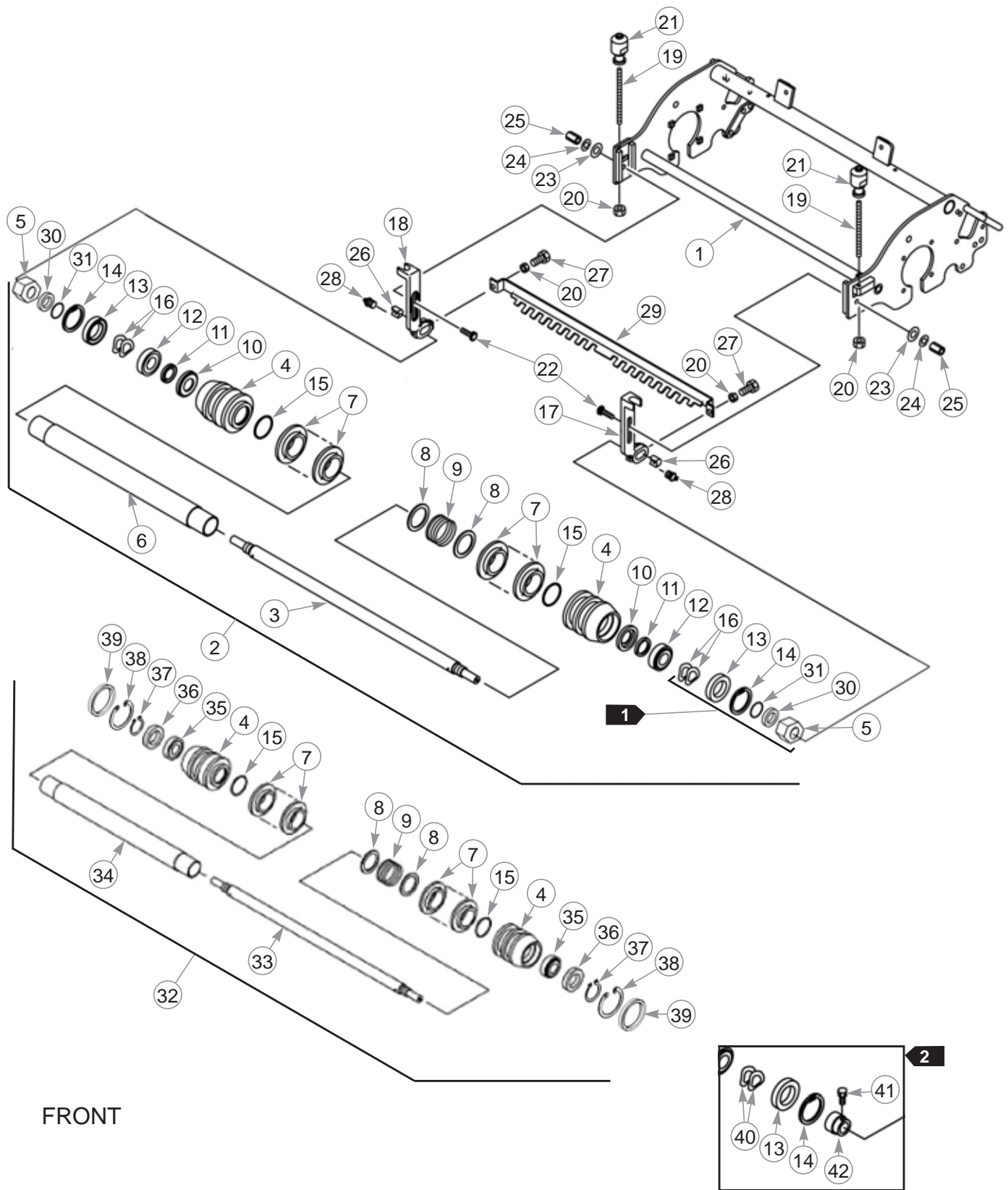
## **Reel Cover Assembly—5" Reels**

INDEX NO.	PART NO.	QTY.	DESCRIPTION
1	A74250950	1	FRONT REEL COVER
2	011510845	2	M8 X 45 BOLT
3	026100008	8	WASHER M8 X 16 X 1.6
4	A74250970	1	REAR REEL COVER
5	A74350380	2	BRACKET
6	011150612	2	BOLT
7	026100006	4	WASHER M6 X 12 X 1.6
8	010110645	2	BOLT
9	021300006	4	NUT
10	A74350410	1	BAFFLE PLATE
11	A98221120	3	SPRING
12	022300008	3	M8 NUT, U-NUT
13	A76100480	1	DRAW ARM
14	A99432100	2	BOLT
15	A98510640	2	BUSHING
16	A99240970	2	THRUST WASHER
17	026109032	1	WASHER
18	027100012	1	LOCK WASHER
19	010131225	1	BOLT

---

### **NOTES:**

# Front Roller—7" Reels



---

## **Front Roller—7" Reels**

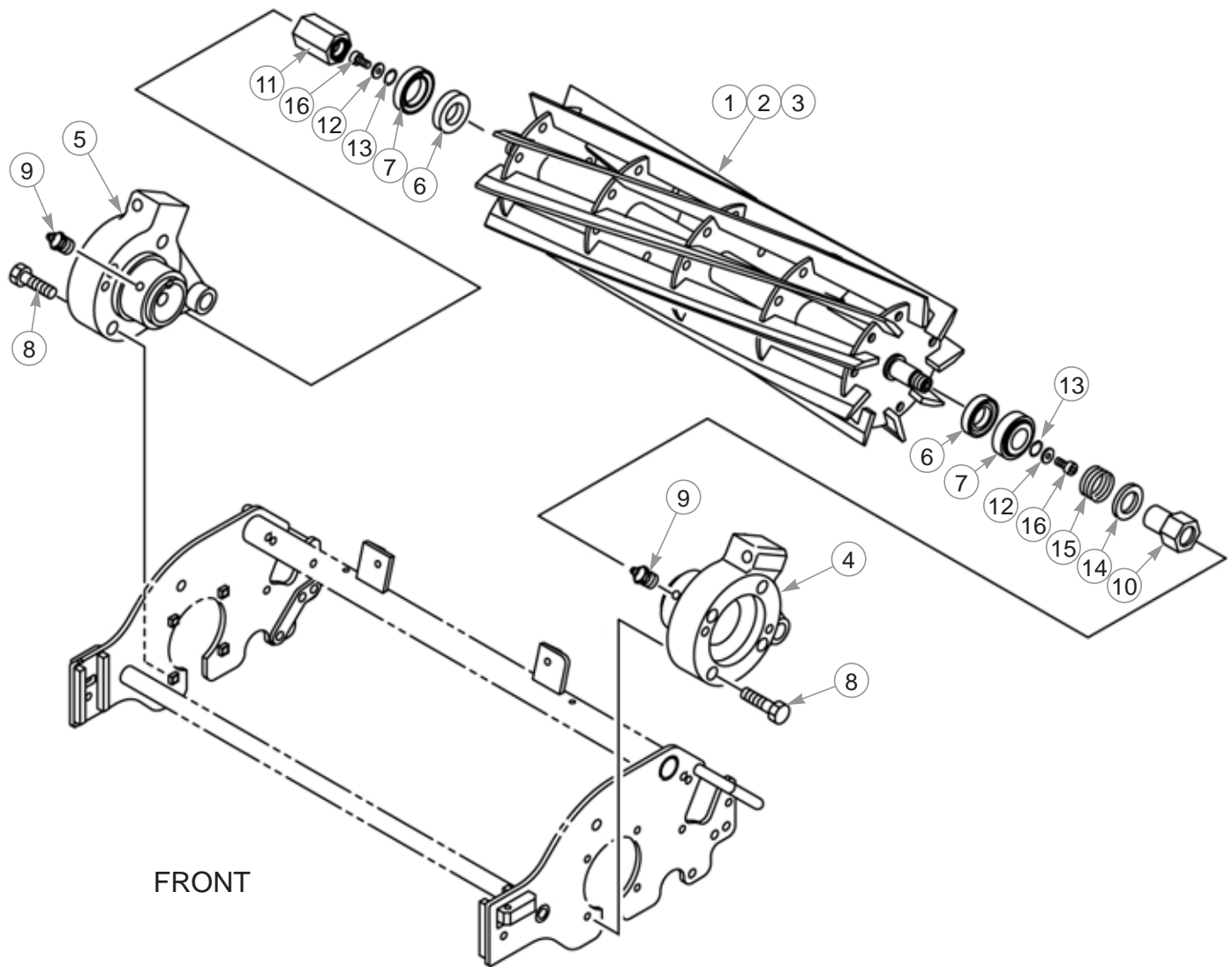
INDEX NO.	PART NO.	QTY.	DESCRIPTION
1	A74101030	1	FRAME
2	A72010540	1	FRONT GROOVED ROLLER ASSY (INCLUDES ITEMS 3–16, 30, 31)
3	A72460331	1	SHAFT
4	A72110440	2	ROLLER END CAP
5	A022409013	2	NUT
6	A72120100	1	PIPE
7	A72110430	14	ROLLER SEGMENT
8	A99231410	2	COLLAR
9	A98220960	1	SPRING
10	A72420010	2	BOSS
11	050309011	2	OIL SEAL
12	042530205	2	BEARING ASS'Y
13	050209121	2	OIL SEAL
14	036500055	2	SNAP RING
15	052100400	2	O-RING
16	A99240950	4	WAVY WASHER
17	A72160710	1	BRACKET
18	A72160720	1	BRACKET
19	A99430300	2	ADJUSTER STUD
20	020700008	4	NUT
21	A70320020	2	ADJUSTER KNOB
22	A99431840	2	BRACKET BOLT
23	A99240200	2	WASHER
24	027100010	2	LOCK WASHER M10
25	A99460230	2	NUT
26	A99210010	2	SPACER
27	010709076	2	BOLT
28	060609002	2	GREASE NIPPLE
29	A72310070	1	GROOVED SCRAPER—OPTIONAL
30	A99231790	2	COLLAR
31	052400250	2	O-RING
32	A72010540	1	ROLLER ASSY (INCLUDES ITEMS 4, 7-9, 15, 33–39)
33	A72460470	1	SHAFT
34	A72120160	1	PIPE
35	040136204	2	BEARING
36	A99232040	2	COLLAR
37	036100020	2	SNAP RING
38	036500047	2	SNAP RING
39	050309087	2	OIL SEAL
40	A99240880	4	WAVY WASHER
41	010160510	2	BOLT
42	A99460220	2	NUT

---

### **NOTES:**

1. For threaded shaft.
2. For non-threaded shaft.

# Reel Blade Assembly—7" Reels



---

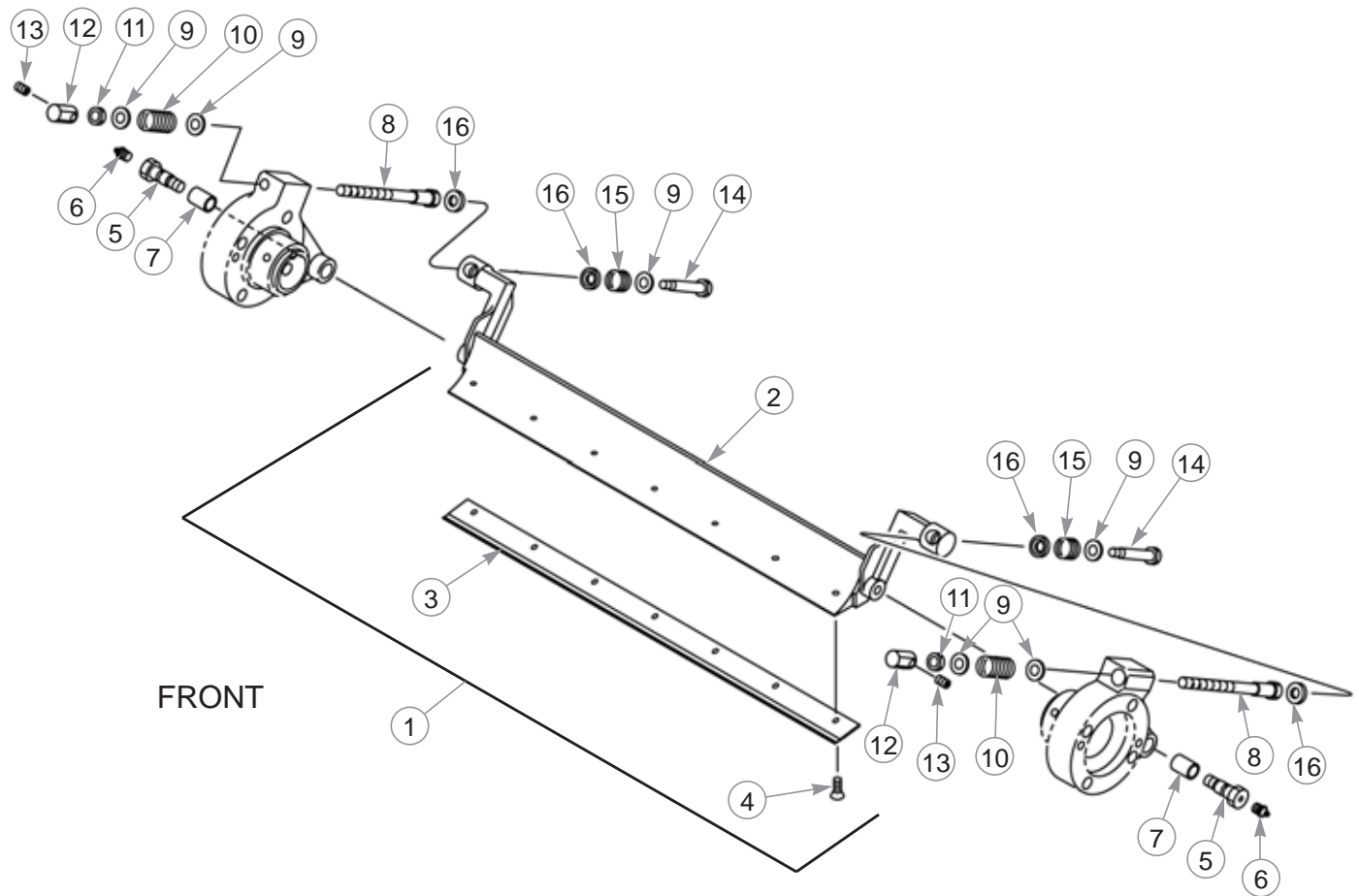
## **Reel Blade Assembly—7" Reels**

INDEX NO.	PART NO.	QTY.	DESCRIPTION
1	A70151140	1	REEL 22 X 7 X 7K (7 BLADE)
2	A70151160	1	REEL 22 X 7 X 9K (9 BLADE)
3	A70151180	1	REEL 22 X 7 X 11K (11 BLADE)
4	A22260801	1	REEL BEARING HSG LH
5	A22260821	1	REEL BEARING HSG RH
6	050202325	2	OIL SEAL
7	042530205	2	BEARING ASS'Y
8	010709078	8	BOLT
9	060609002	2	GREASE NIPPLE
10	A22360270	1	LEFT REEL COUPLING, LEFT HAND THREADS
11	A22360280	1	RIGHT REEL COUPLING
12	A99240870	2	WASHER
13	036500017	2	SNAP RING
14	A99231420	1	COLLAR
15	A98220950	1	SPRING REEL SHAFT
16	010709064	2	CAP SCREW

---

### **NOTES:**

# **Bedknife Assembly—7" Reels**





# **Bedknife Assembly—7" Reels**

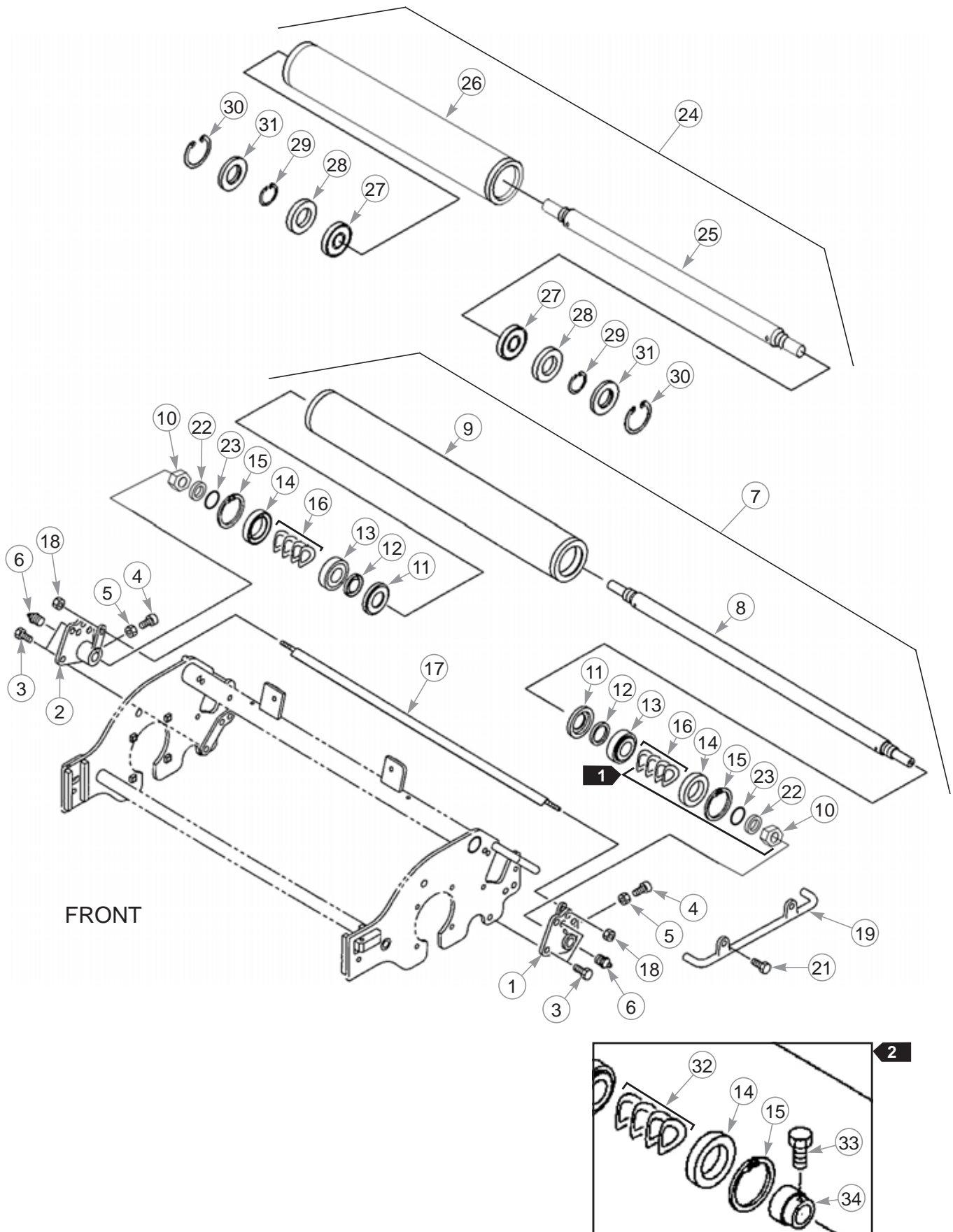
INDEX NO.	PART NO.	QTY.	DESCRIPTION
1	A70010990	1	BED BAR ASSY (INCLUDES ITEMS 2-4)
2	A70110290	1	BED BAR
3	SEE THE TABLE BELOW FOR BEDKNIFE OPTIONS		
4	A99480250	7	SCREW
5	A99431820	2	PIVOT BOLT
6	060609002	2	GREASE NIPPLE
7	A98510530	2	BUSHING
8	A70310040	2	ADJUSTING BOLT
9	026100012	8	WASHER
10	A98221000	2	SPRING
11	020800012	2	NUT
12	A70320150	2	ADJUSTING NUT
13	010709061	2	BOLT
14	A99431830	2	BOLT
15	A98220970	2	SPRING
16	A99231230	4	COLLAR

**NOTES:**

BEDKNIFE DESCRIPTION	HIGH SPEED PREMIUM BEDKNIFE TOOL STEEL INSERTED LEADING EDGE	ALL STEEL BEDKNIFE
FAIRWAY/TEES	A70430171 (22", 6.0MM)	A70430320 (22", 6.0MM)

**NOTES:**

# Rear Roller—7" Reels



---

## **Rear Roller—7" Reels**

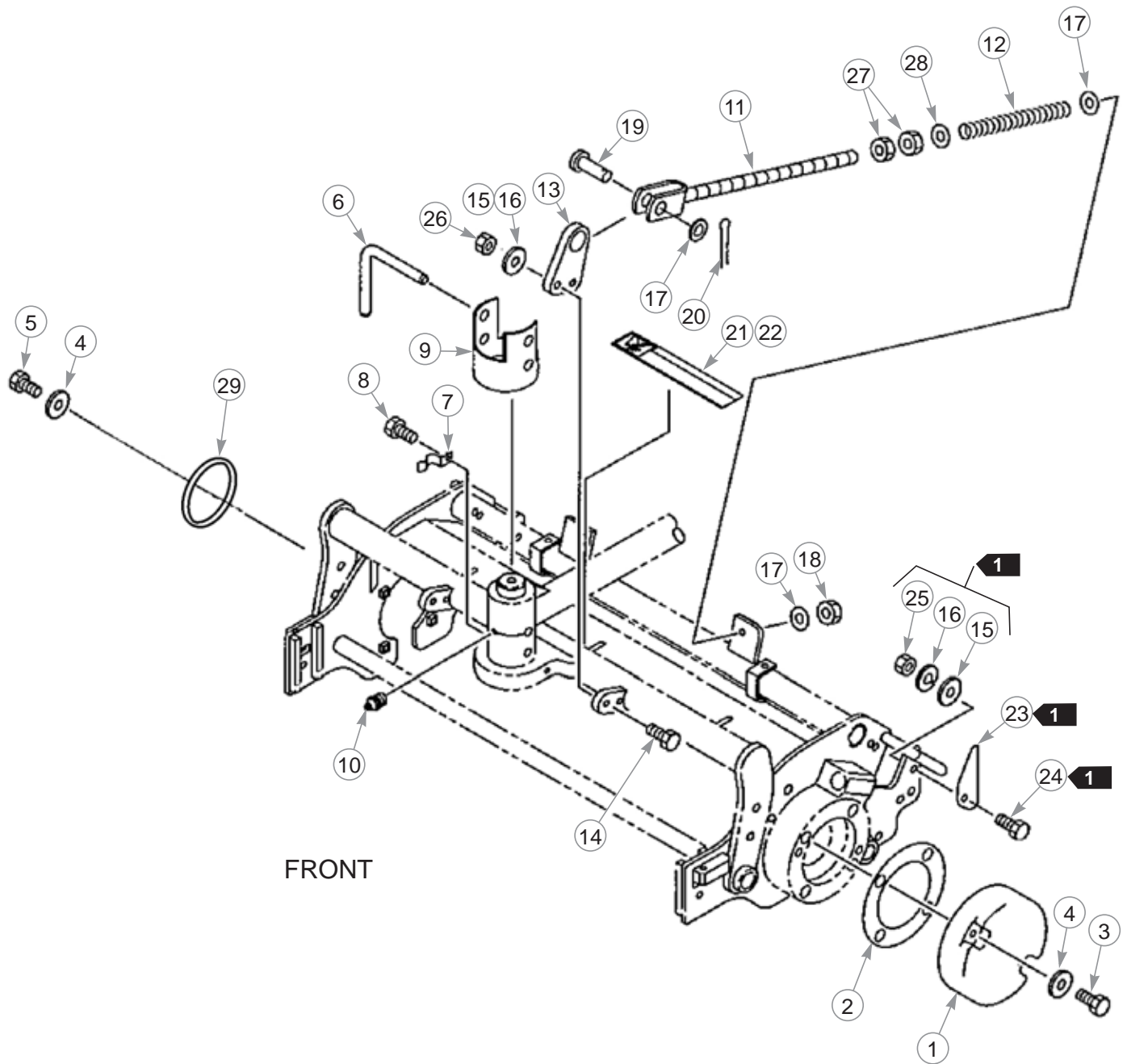
INDEX NO.	PART NO.	QTY.	DESCRIPTION
1	A72160590	1	REAR ROLLER BRACKET - LEFT SIDE
2	A72160600	1	REAR ROLLER BRACKET - RIGHT SIDE
3	011511020	4	M10 X 20 BOLT
4	010709074	2	BOLT
5	020700008	2	NUT
6	060609002	2	GREASE NIPPLE
7	A72010352	1	REAR ROLLER ASSY (INCLUDES ITEMS 8–16, 22 & 23)
8	A72460331	1	SHAFT
9	A72100160	1	ROLLER
10	022409013	2	NUT
11	A72420010	2	BOSS
12	050309011	2	OIL SEAL
13	042530205	2	BEARING ASS'Y
14	050209121	2	OIL SEAL
15	036500055	2	SNAP RING
16	a99240950	8	WAVE WASHER
17	A72310060	1	REAR SCRAPER—OPTIONAL
18	022400006	2	U-NUT
19	A74300200	1	LEFT SKID
20	A74300210	1	RIGHT SKID (NOT SHOWN)
21	011511025	2	M10 X 25 BOLT
22	A99231790	2	COLLAR
23	052400250	2	O-RING
24	A72010550	1	ROLLER ASSY (INCLUDES ITEMS 25-31)
25	A72460470	1	SHAFT
26	A72100240	1	ROLLER
27	040136204	2	BEARING
28	A99232040	2	COLLAR
29	036100020	2	SNAP RING
30	036500047	2	SNAP RING
31	050309087	2	OIL SEAL
32	A99240880	8	WAVE WASHER
33	010160510	2	BOLT
34	A99460220	2	NUT

---

### **NOTES:**

1. For threaded shaft.
2. For non-threaded shaft.

# Gear Motor Weight Assembly—7" Reels



---

## **Gear Motor Weight Assembly—7" Reels**

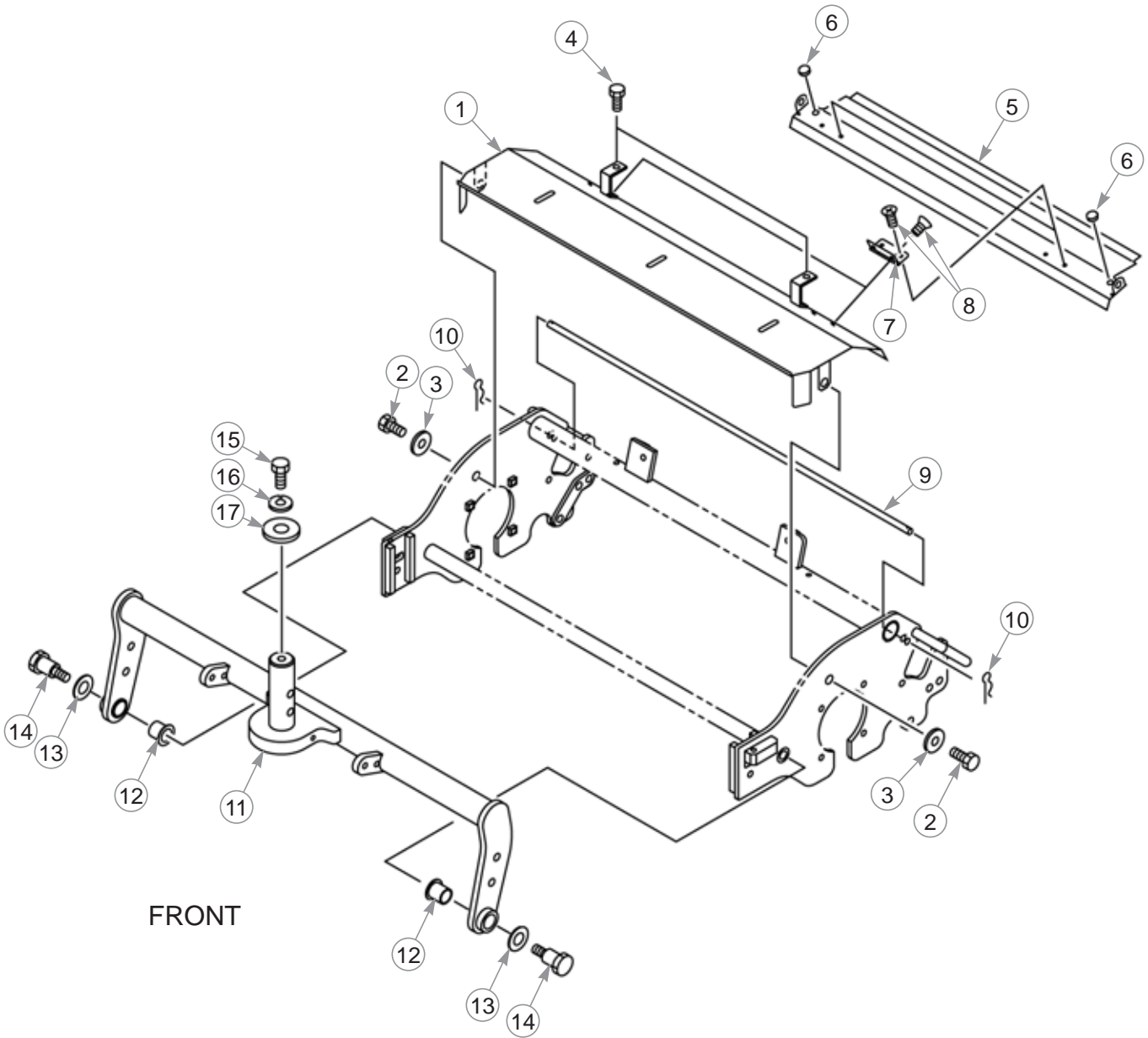
INDEX NO.	PART NO.	QTY.	DESCRIPTION
1	A62110340	5	COUNTERWEIGHT
2	A22990190	5	GASKET
3	011511040	10	M10 X 40 BOLT
4	026100010	20	WASHER M10 X 20 X 2
5	011511025	10	M10 X 25 BOLT
6	A44420051	5	PIN
7	A98221240	5	SPRING
8	011150612	5	BOLT
9	A76240010	5	COVER
10	060609002	3	STRAIGHT GREASE NIPPLE - FRONT REELS ONLY
	060609004	2	90° GREASE NIPPLE - REAR REELS ONLY
11	A76200280	5	ROD
12	A98220990	5	SPRING
13	A76360010	5	BRACKET
14	010310830	10	BOLT
15	026100008	14	WASHER M8 X 16 X 1.6
16	027100008	4	LOCK WASHER M8
17	026100012	15	WASHER
18	022300012	5	LOCK NUT
19	031311230	5	PIN
20	030103220	5	SNAP PIN
21	A90630040	5	CAUTION PLATE
22	A90630021	5	CAUTION PLATE
23	A74350320	4	BRACKET
24	011510830	4	BOLT
25	020900008	4	NUT M8 CL 8
26	020700008	10	NUT
27	020900012	10	NUT M16
28	026100016	5	WASHER
29	052109141	5	O RING: A5568-152

---

### **NOTES:**

1. The bracket and hardware are only used on the rear reel assemblies.

# Reel Cover Assembly—7" Reels



---

## **Reel Cover Assembly—7" Reels**

INDEX NO.	PART NO.	QTY.	DESCRIPTION
1	A74250730	1	TOP COVER
2	011510820	2	M8 X 1.25 X 20 BOLT
3	026100008	2	WASHER M8 X 16 X 1.6
4	011150612	2	BOLT
5	A74250740	1	REAR COVER
6	A98120610	2	RUBBER
7	A98330150	2	HINGE
8	015300410	8	SCREW
9	A99320080	1	ROD
10	031100008	2	HAIR PIN CLIP
11	A76100410	1	DRAW ARM YOKE
12	A98510580	2	BUSHING
13	A99240860	2	WASHER
14	A99431860	2	BOLT
15	010131225	1	BOLT
16	027100012	1	LOCK WASHER
17	026109032	1	WASHER

---

### **NOTES:**

---



# Numerical Index

Part No.	Page No.	Part No.	Page No.	Part No.	Page No.
<b>Index</b>					
<b>Part Numbers</b>					
010110645	2-13	036100020	2-3, 2-21	A70100370	2-7
010131225	2-5, 2-13, 2-25	036100028	2-5	A70110290	2-19
010160510	2-15, 2-21	036100035	2-9	A70110430	2-7
010310830	2-11, 2-23	036500017	2-17	A70151140	2-17
010709061	2-7, 2-19	036500047	2-3, 2-21	A70151160	2-17
010709063	2-9	036500055	2-3, 2-15, 2-21	A70151180	2-17
010709064	2-17	040136202	2-9	A70151360	2-5
010709074	2-3, 2-21	040136204	2-3, 2-21	A70151380	2-5
010709076	2-15	042530205	2-3, 2-15, 2-17, 2-21	A70310040	2-19
010709078	2-17	042532078	2-5	A70310120	2-7
011150612	2-11, 2-13, 2-23, 2-25	050202325	2-17	A70320020	2-3, 2-15
		050203130	2-5	A70320150	2-7, 2-19
011510820	2-9, 2-11, 2-25	050209121	2-3, 2-15, 2-21	A72010341	2-3
011510825	2-9	050209128	2-9	A72010352	2-21
011510830	2-23	050309011	2-3, 2-15, 2-21	A72010450	2-9
011510845	2-13	050309087	2-3, 2-21	A72010540	2-3, 2-15
011511020	2-21	052100400	2-3, 2-15	A72010550	2-21
011511025	2-21, 2-23	052109141	2-23	A72100160	2-21
011511030	2-11	052400250	2-3, 2-15, 2-21	A72100200	2-9
011511040	2-23	052400530	2-11	A72100240	2-21
015209029	2-5	060609002	2-3, 2-7, 2-9, 2-15, 2-17, 2-19, 2-21, 2-23	A72110430	2-3, 2-15
015209030	2-5			A72110440	2-3, 2-15
015300410	2-25	060609004	2-5, 2-23	A72120100	2-3, 2-15
015300510	2-5	060610000	2-5	A72120160	2-3
020300006	2-9	111099	1-1	A72120470	2-3
020700008	2-3, 2-15, 2-21, 2-23	111973	1-1	A72160590	2-21
020800012	2-19	114263	1-1	A72160600	2-21
020900008	2-23	114676	1-1	A72160710	2-15
020900012	2-23	601939	1-1	A72160720	2-15
020900016	2-11	601940	1-1	A72160780	2-3
021300006	2-13	929158	1-1	A72160790	2-9
021500008	2-11	929166	1-1	A72160800	2-9
022300008	2-13	929174	1-1	A72170060	2-9
022300012	2-11, 2-23	929182	1-1	A72310060	2-21
022400006	2-21	929183	1-1	A72310070	2-15
022409012	2-7	A		A72420010	2-3, 2-15, 2-21
022409013	2-3, 2-21	A022409013	2-15	A72460331	2-3, 2-15, 2-21
026100006	2-13	A22260801	2-17	A72460390	2-9
026100008	2-9, 2-11, 2-13, 2-23, 2-25	A22260821	2-17	A72460470	2-21
		A22260950	2-5	A74101030	2-15
026100010	2-11, 2-23	A22260970	2-5	A74101060	2-5
026100012	2-7, 2-11, 2-19, 2-23	A22330030	2-5	A74250730	2-25
026100016	2-11, 2-23	A22330040	2-5	A74250740	2-25
026109018	2-5	A22360270	2-17	A74250950	2-13
026109032	2-13, 2-25	A22360280	2-17	A74250970	2-13
026200014	2-7	A22360300	2-5	A74300200	2-21
027100008	2-23	A22360310	2-5	A74300210	2-21
027100010	2-3, 2-15	A22990190	2-23	A74350320	2-23
027100012	2-5, 2-13, 2-25	A22990220	2-5, 2-11	A74350380	2-13
030102520	2-11	A44420051	2-11, 2-23	A74350410	2-13
030103220	2-23	A62110340	2-23	A76100410	2-25
031100008	2-25	A62110400	2-11	A76100480	2-13
031311230	2-11, 2-23	A70010990	2-19	A76200280	2-11, 2-23
				A76240010	2-11, 2-23

Part No.	Page No.	Part No.	Page No.	Part No.	Page No.
A76360010	2-11, 2-23	A98510530	2-19	a99240950	2-21
A90630021	2-11, 2-23	A98510580	2-25	A99240960	2-5
A90630040	2-11, 2-23	A98510640	2-13	A99240970	2-13
A98120610	2-25	A99210010	2-15	A99320080	2-25
A98220950	2-17	A99230240	2-5	A99430300	2-15
A98220960	2-3, 2-15	A99231230	2-7, 2-19	A99430330	2-7
A98220970	2-19	A99231410	2-3, 2-15	A99431820	2-19
A98220980	2-11	A99231420	2-17	A99431830	2-19
A98220990	2-23	A99231710	2-7	A99431840	2-3, 2-15
A98221000	2-19	A99231790	2-3, 2-15, 2-21	A99431860	2-25
A98221120	2-13	A99232040	2-3, 2-21	A99432080	2-7
A98221130	2-7	A99240200	2-3, 2-15	A99432090	2-3
A98221140	2-7	A99240860	2-25	A99432100	2-13
A98221150	2-5	A99240870	2-17	A99460220	2-15, 2-21
A98221240	2-11, 2-23	A99240880	2-15	A99460230	2-3, 2-15
A98330150	2-25	a99240880	2-21	A99480030	2-7
A98510120	2-7	A99240950	2-3, 2-9, 2-15	A99480250	2-19